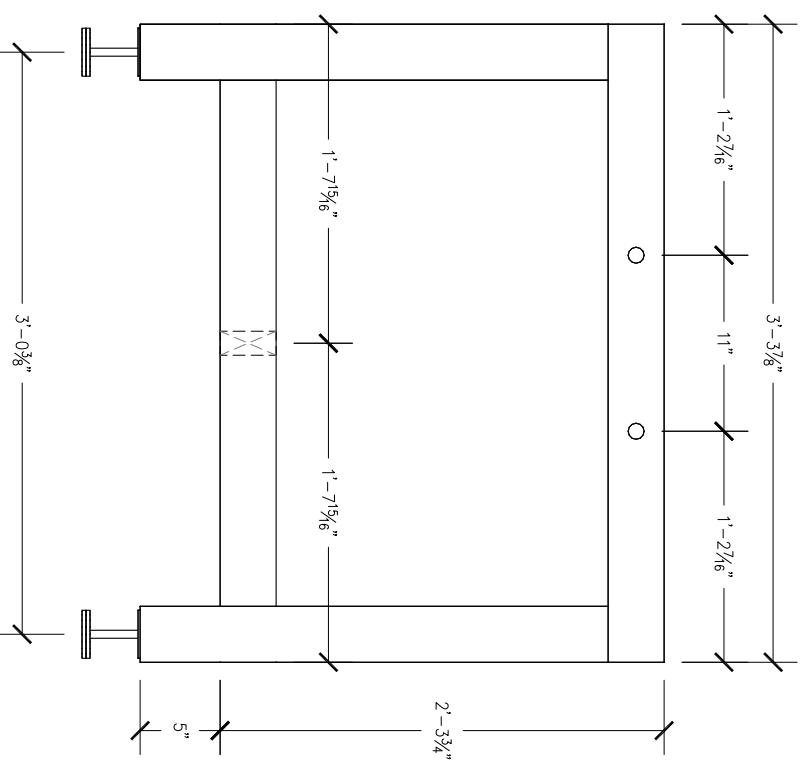
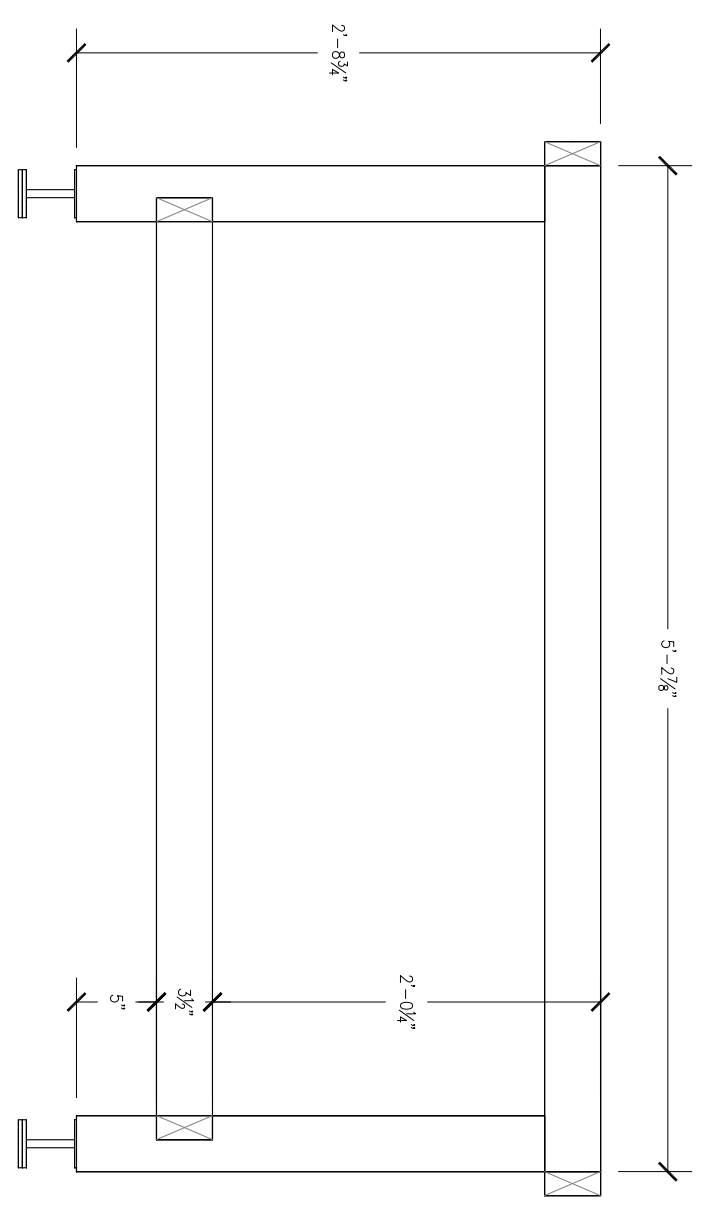


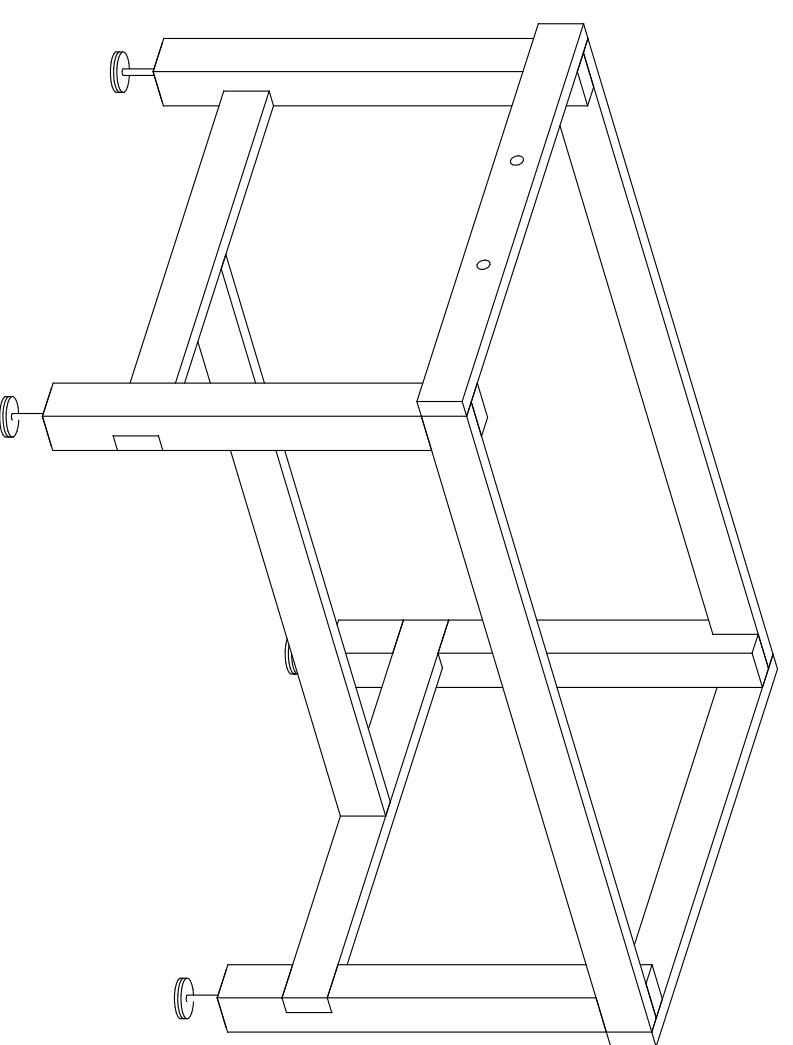
4 TOP VIEW, LOWER FRAMING
SCALE: 1" = 1'-0"



2 FRONT VIEW, LOWER FRAMING
SCALE: NTS



3 SIDE VIEW, LOWER FRAMING
SCALE: 1" = 1'-0"



1 ISO VIEW, LOWER FRAMING
SCALE: NTS

- REQUIRED MATERIALS:
- 1 @ 10'-0" 4X4
 - 4 @ 8'-0" 2X4
 - 3" SCREWS
 - WOOD GLUE



PROJECT: WORKBENCH

VENUE: N/A

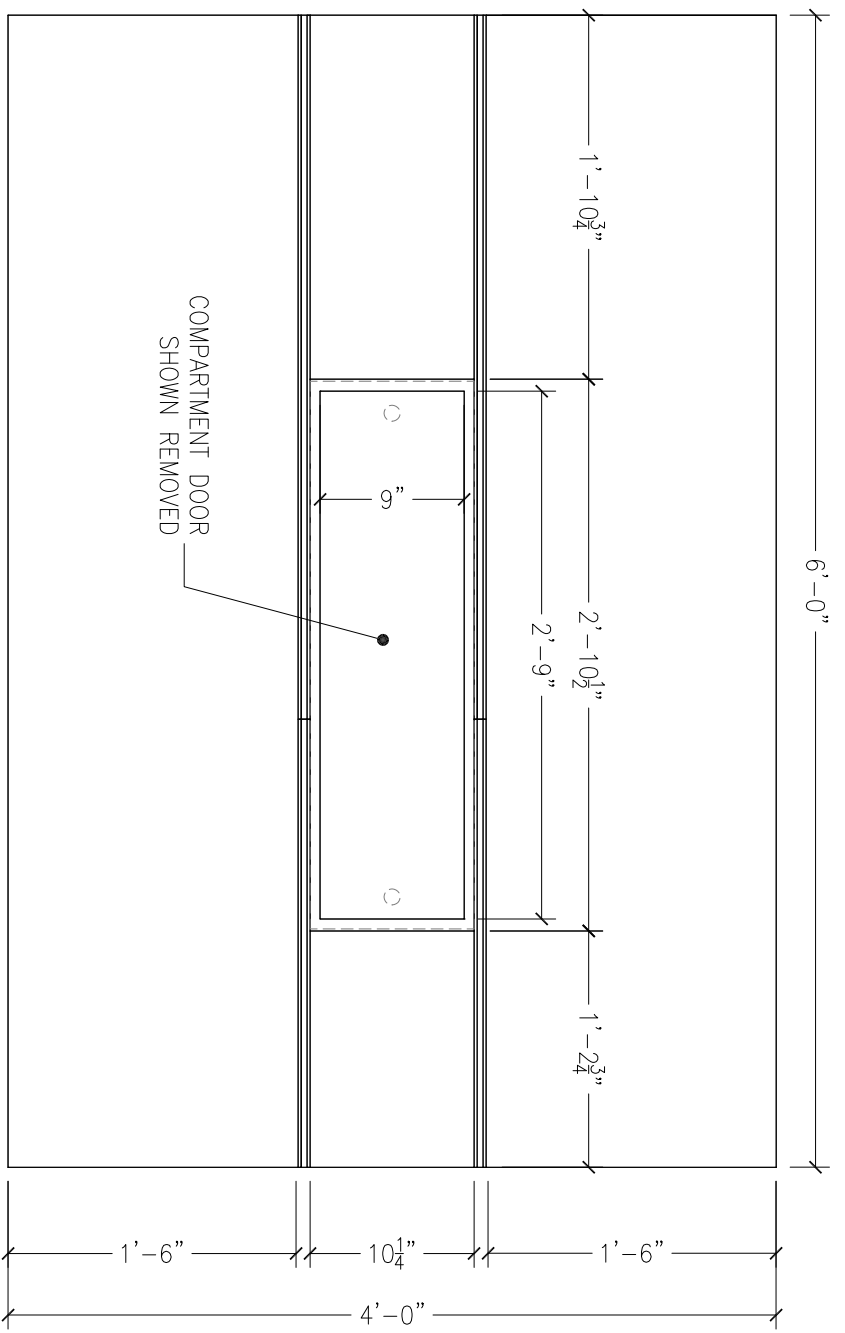
DATE: 15 FEB 2010 REV:8

DRAWING: FRAMING DETAILS

SHEET: LT1-1

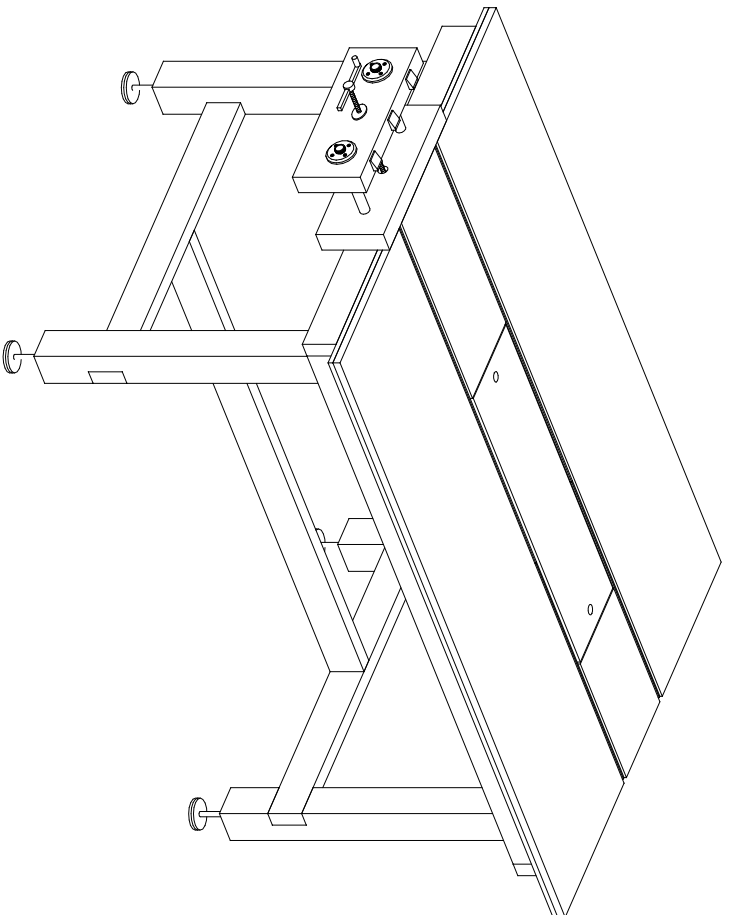
DRAFT: MRP

DESIGN: MAXWELL ROSS PIERSON

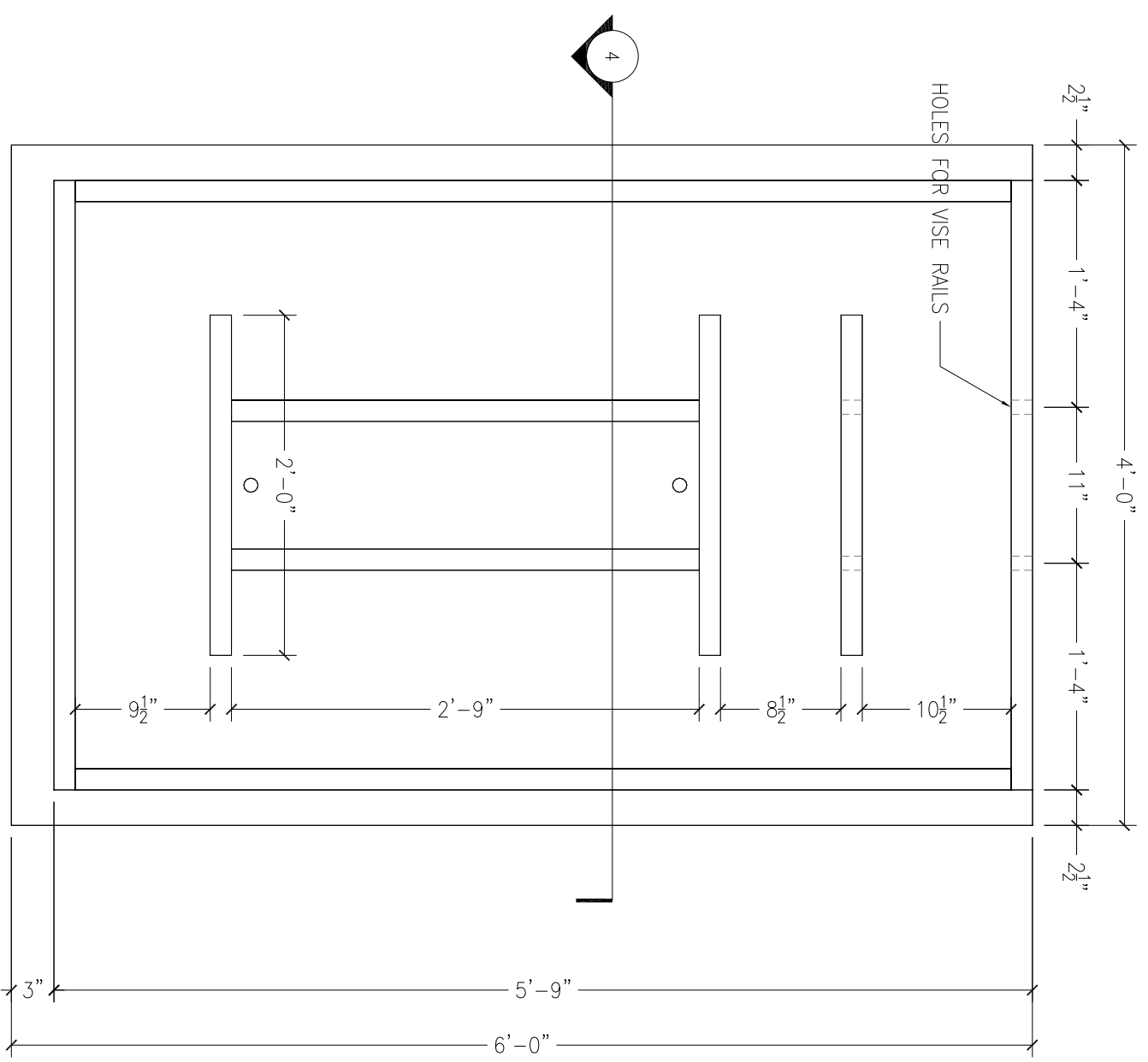


1 TOP VIEW, UPPER TABLE
SCALE: 1" = 1'-0"

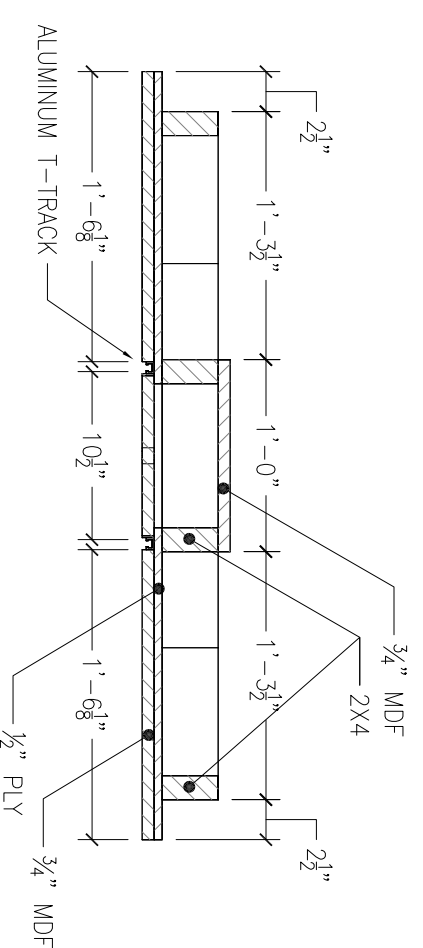
- REQUIRED MATERIALS:
- 4 @ 8'-0" 2X4
 - 3 @ 4'x8' MASONITE
 - 1 1/2" SCREWS
 - 2 1/2" SCREWS
 - WOOD GLUE



3 ISO VIEW, UPPER TABLE
SCALE: NTS



2 BOTTOM VIEW, UPPER TABLE
SCALE: 1" = 1'-0"



4 TABLE SECTION (BOTTOM UP)
SCALE: 1" = 1'-0"



PROJECT: WORKBENCH

VENUE: N/A

DATE: 15 FEB 2010

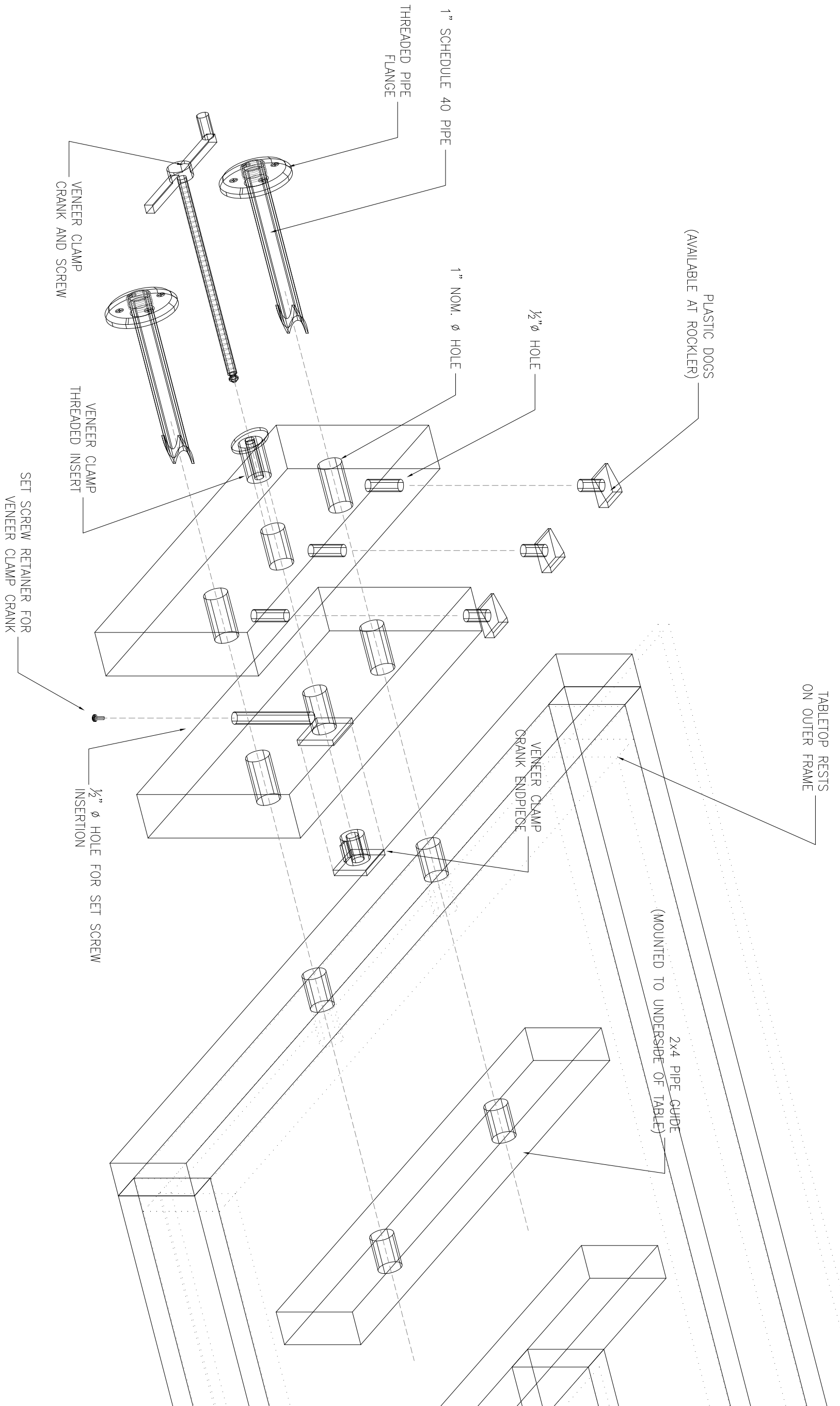
REV: 8

DRAWING: TABLE DETAILS

SHEET: LT1-2

DRAFT: MRP

DESIGN: MAXWELL ROSS PIERSON



1 VISE, EXPLODED VIEW
SCALE: NTS



PROJECT: WORKBENCH

VENUE: N/A

DATE: 15 FEB 2010

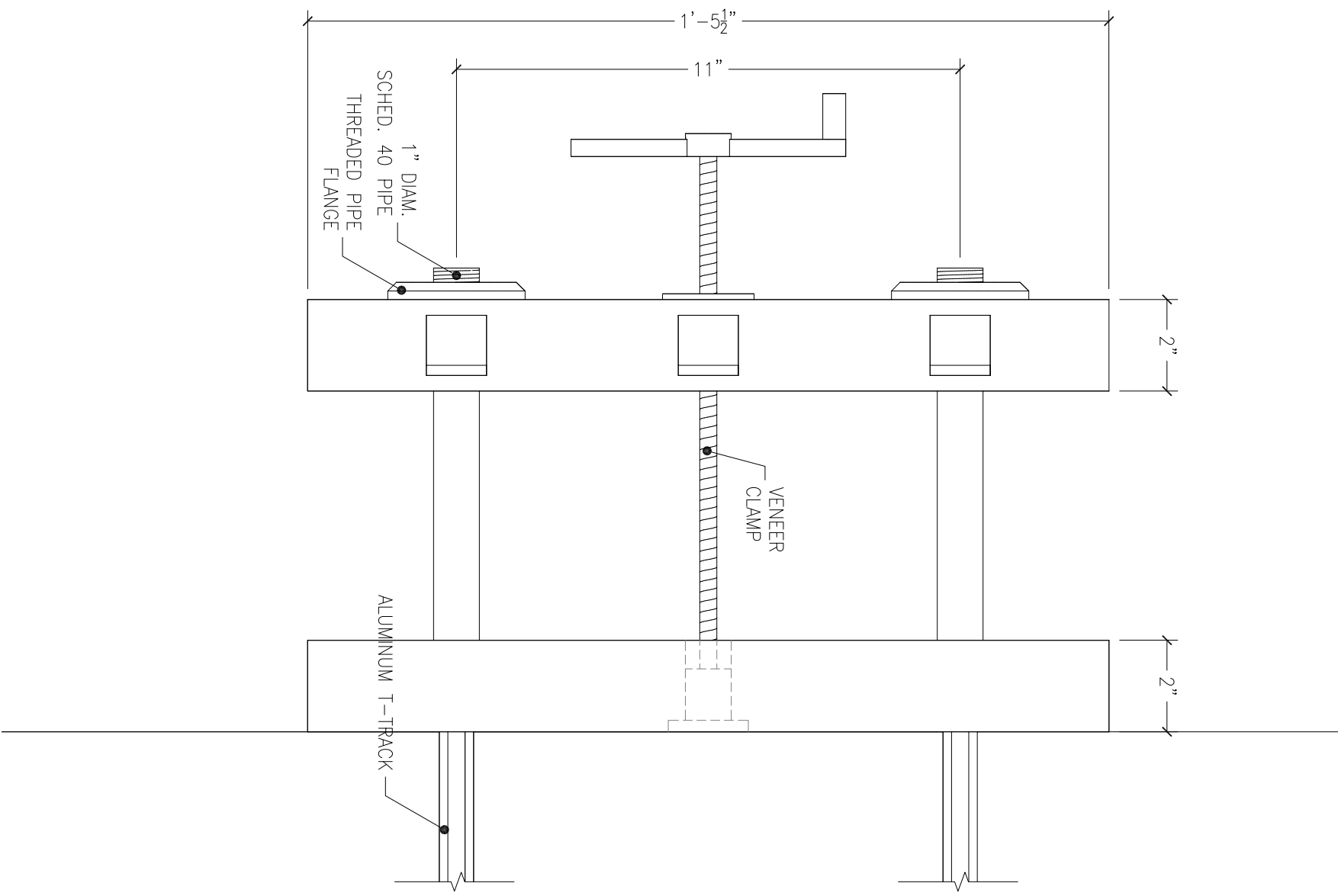
REV:8

DRAWING: VISE DETAILS

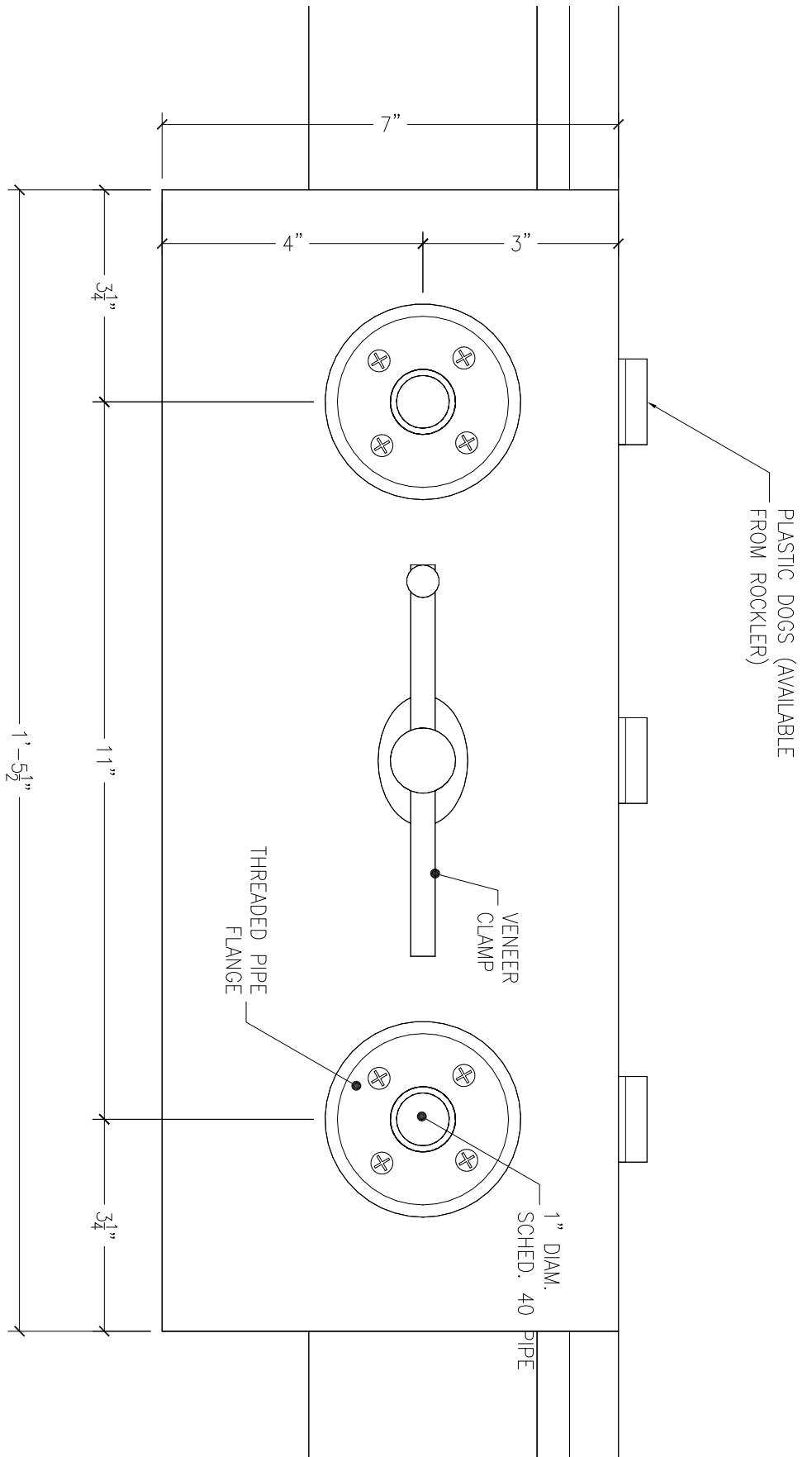
SHEET: LT1-4

DESIGN: MAXWELL ROSS PIERSON

DRAFT: MRP



2 TOP VIEW, VISE
SCALE: NTS



1 FRONT VIEW, VISE
SCALE: NTS



PROJECT: WORKBENCH	DRAWING: VISE DETAILS
VENUE: N/A	SHEET: LT1-3
DATE: 15 FEB 2010	DRAFT: MRP
REV: 8	DESIGN: MAXWELL ROSS PIERSON